

Egismos DATASHEET

O1-DV-5.0-R2-G(DV5R2G)

O1-DV-5.0-R4-G(DV5R4G)

Spherical Glass Collimator Key features

Expand light for 400nm~800nm range

Traditional spherical glass lens production process

Expand DPSS laser beam for collimating

High temperature application to 200°C

High stability and reliability



Part No./ Parameter	λ (nm)	Dia. (mm)	R (mm)	Spread Angle	Smallest Beam Size(mm) at 10m for CO510G	Smallest Beam Size mm) at 10m for CO515G
O1-DV-5.0-R2-G (CO5R2G)	400~800	5.0	1.7	~30°	12.0	8.0
O1-DV-5.0-R4-G (DV5R4G)	400~800	5.0	3.85	~20°	18.0	12.0

Applications

DPSS green laser collimating (pair with collimating lens)

Spreading light application

Spherical Glass expanding Lens Solutions

The spherical double concave glass lenses are designed pair with the collimating lenses O1-CO-5.0(CO507G,CO510G,CO515G)series for DPSS laser collimating made by traditional glass polish technology. Concave lens produces an expanding light beam by DPSS laser for collimating.

The DV(double concave) - G series is traditional spherical glass collimator. They are useful in a variety of applications involving DPSS green laser, expanding light, and optical system etc..

We provide several kinds for option and best technical service. eGismos also provide the optics design and ODM/OEM service except the standard products as the data sheet list.

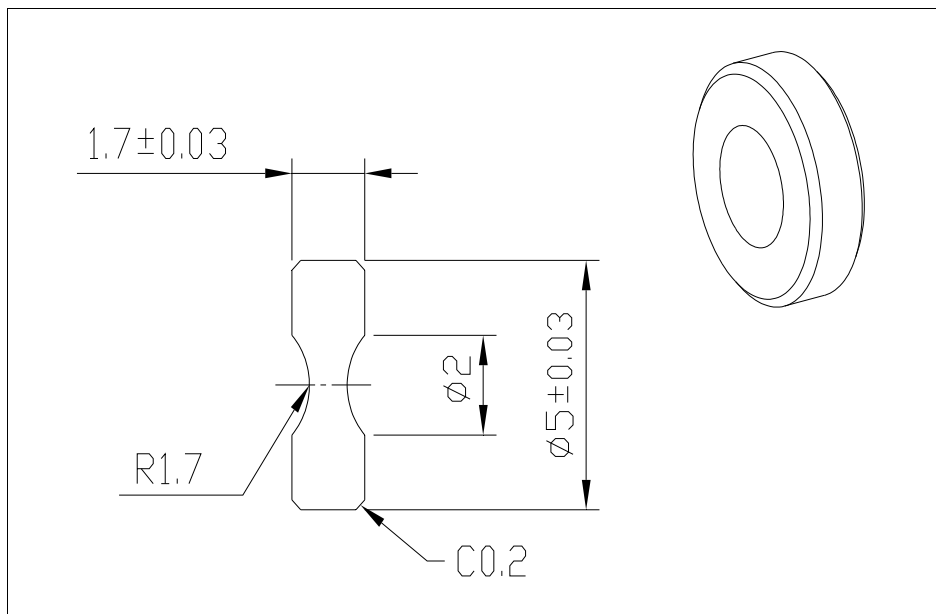
Egismos

<http://www.egismos.com>

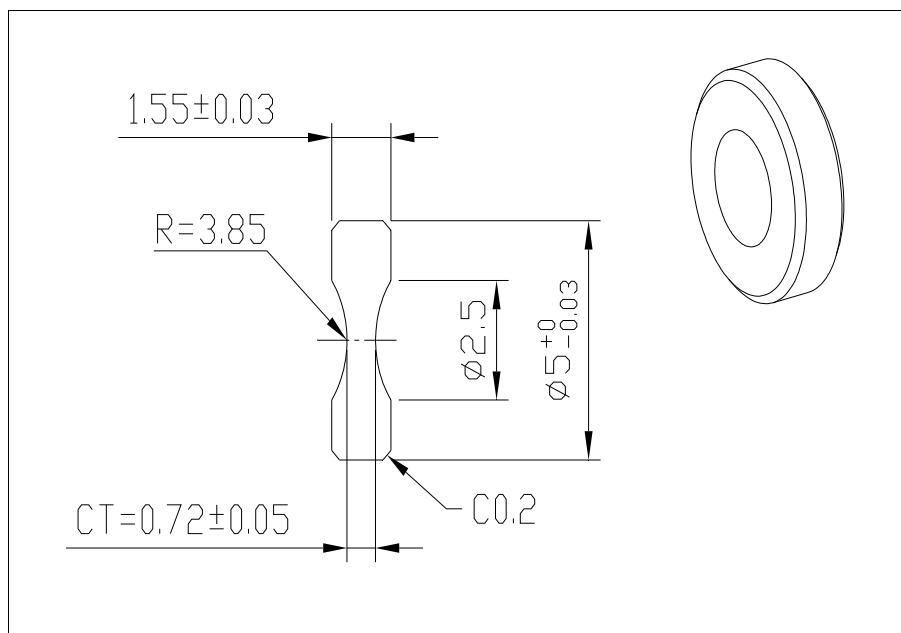
TEL:+1-888-3481454

FAX:+1-604-4339864

E-Mail:sales@eGismos.com



O1-DV-5.0-R2-G (CO5R2G)



O1-DV-5.0-R4-G (DV5R4G)

Egismos *DATASHEET*

Specifications (typical @ $t_c=25^{\circ}\text{C}$)

Item.	symbol	O1-DV-5.0-R2-G (DV5R2G)	O1-DV-5.0-R4-G (DV5R4G)
Material		BK7	BK7
Operating Wavelength	λ	400~800nm	400~800nm
Focal Length	f	-1.5mm	-3.5mm
Radius (R1=R2)	R	1.7mm	3.85mm
Expanding Angle		$\sim 30^{\circ}$	$\sim 20^{\circ}$
Wave Front Error		$\leq 0.1\lambda$ (532nm)	$\leq 0.1\lambda$ (532nm)
Outer Diameter	OD (φ)	5.0mm \pm 0.03mm	5.0mm \pm 0.03mm
Clear Aperture (Effective Diameter)	CA	2.0mm (R1)	2.5mm (R1)
Center Thickness	CT	1.55mm \pm 0.01mm	1.70mm \pm 0.01mm
Transmission (AR Coating)	Tr	$\geq 95\%$ (532nm)	$\geq 95\%$ (532nm)
Operating Temperature		-40 $^{\circ}\text{C}$ to +200 $^{\circ}\text{C}$	-40 $^{\circ}\text{C}$ to +200 $^{\circ}\text{C}$
Storage Temperature		-60 $^{\circ}\text{C}$ to +240 $^{\circ}\text{C}$	-60 $^{\circ}\text{C}$ to +240 $^{\circ}\text{C}$
Surface Quality (Mill Standard)		80/60	80/60



Egismos

<http://www.egismos.com>

TEL: +1-888-3481454

FAX: +1-604-4339864

E-Mail: sales@egismos.com